



AMERICAN EAGLE[®]
FOOD MACHINERY, INC.

AE-G12N / G22N
Countertop
Meat Grinders

773.376.0800 (P) • 773.376.2010 (F) • 3131 S. Canal St. Chicago, IL 60616

American Eagle® meat grinders feature patented design, all-inclusive accessories, and competitive pricing, making them the best value for foodservice professionals, hunters, butchers, or home enthusiasts alike!



AE-G22N
#22 MEAT GRINDER



AE-G12N
#12 MEAT GRINDER

Quality Design

- Powerful 1 HP (G12N) or 1.5 HP (G22N) Motor
- Patented stainless steel grinder head design with quick pass auger and rifled chamber prevents jams and reduces food waste
- 100% gear driven transmission with durable steel alloy gears
- Permanently lubricated, sealed motor design for food safety and low maintenance
- Superior electronics and wiring design ensures reliable operation
- Attractive, high polish stainless steel design with no sharp corners or seams for easy cleaning
- ETL certified to conform to: NSF No.8, CSA, and CE Standards



Standard Features

- Forward/Reverse switch*
- Motor overload protection with reset
- Universal #12 hub for attachments
- Non-slip rubber feet
- Warranty: 1 Year Parts / 90 Days Labor**

Standard Accessories

- Stainless Steel Feeder Pan
- Meat Pusher and Stuffer Tube (3/4")
- 3/16" (6mm) Stainless Steel Plate
- 5/16" (8mm) Stainless Steel Plate
- Stainless Steel Knife



Optional Accessories

- AE-T12HS Meat Tenderizer Head
- AE-JS12H Jerky Slicer Head
- AE-VS12H Vegetable Slicer or Shredder Head
- AE-HP100 Hamburger Patty Press



Proud Member of:
NAFEM
 North American Association of
 Food Equipment Manufacturers

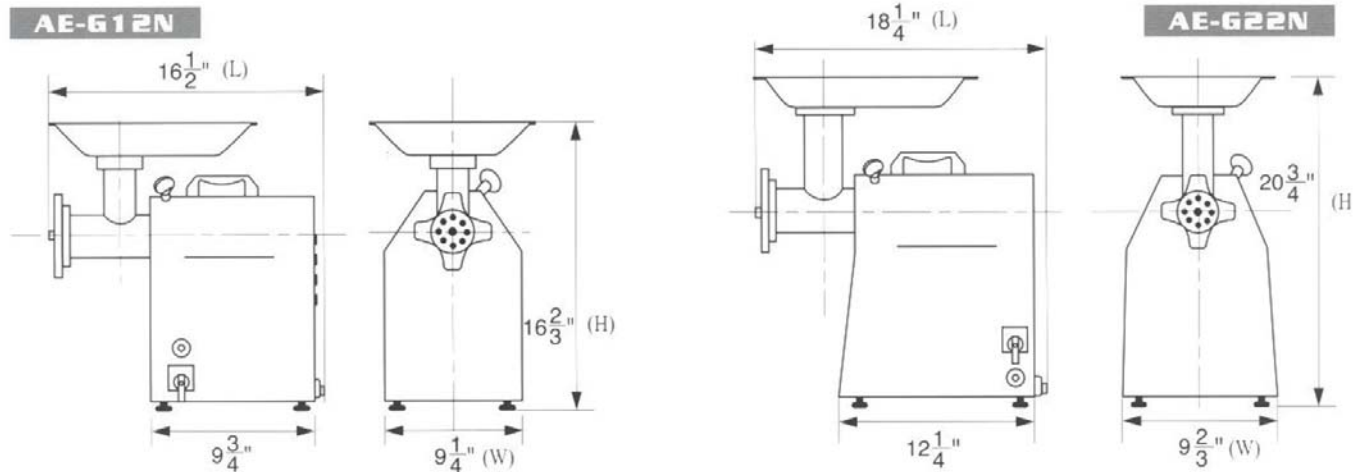
Quality • Value • Reliability



AMERICAN EAGLE[®]
FOOD MACHINERY, INC.

AE-G12N / G22N
Countertop
Meat Grinders

sales@ameagle.biz • www.americaneaglemachine.com



Specifications and Shipping Information

| Model | Capacity | Motor | Amps | RPMS (Auger) | Voltage V/HZ/PH | Shipping Dimensions | Ship Weight | Net Weight |
|---------|------------|--------|------|--------------|-----------------|-----------------------|-------------|------------|
| AE-G12N | 250 lbs/hr | 1 HP | 8 | 170 | 115/60/1 | 18" L x 13" W x 16" H | 62 lbs | 59 lbs |
| AE-G22N | 450 lbs/hr | 1.5 HP | 16 | 170 | 115/60/1 | 23" L x 16" W x 20" H | 84 lbs | 79 lbs |

Optional AE-T12HS Meat Tenderizer Head

- Durable stainless steel construction, fits standard #12 hub
- Transforms tougher meats into delicious, salable product

Optional AE-VS12H Vegetable Processor Head

- Dual Hopper Chamber accommodates large variety of items, fits standard #12 hub, stainless steel construction
- Slicer Plate is adjustable to following sizes using spacers: 1/16" (none), 1/8" (thin spacer), 3/16" (thick spacer)
- Shredder/Grating Plate Sizes Available: 1/4", 5/16", 3/32"

Optional AE-JS12H Jerky Slicer Head

- Durable stainless steel construction, fits standard #12 hub
- Easily slice meat into strips, perfect for jerky or fajitas

Optional AE-HP100 Hamburger Patty Press

- Quickly transform ground beef into uniform hamburger patties!
- Durable stainless steel construction and convenient paper liner holder

Optional Grinder Pressure Plates

| Description | AE-G12N Part # | AE-G22N Part # |
|-----------------------|----------------|----------------|
| 3-Hole Plate (0mm)*** | AE-G12N/08-00 | AE-G22N/06-00 |
| 1/16" (2mm) | AE-G12N/08-02 | AE-G22N/06-02 |
| 5/32" (4mm) | AE-G12N/08-04 | AE-G22N/06-04 |
| 1/4" (6mm) | AE-G12N/08-06 | AE-G22N/06-06 |
| 5/16" (8mm) | AE-G12N/08-08 | AE-G22N/06-08 |
| 3/8" (10mm) | AE-G12N/08-10 | AE-G22N/06-10 |
| 1/2" (12mm) | AE-G12N/08-12 | AE-G22N/06-12 |
| 9/16" (14mm) | AE-G12N/08-14 | AE-G22N/06-14 |
| 5/8" (16mm) | AE-G12N/08-16 | AE-G22N/06-16 |
| 11/16" (18mm) | AE-G12N/08-18 | AE-G22N/06-18 |
| 3/4" (20mm) | N/A | AE-G22N/06-20 |

* Reverse mode should only be used with meat grinder head, using reverse on other attachments may cause damage not covered by warranty

** Warranty must be registered. Please refer to manual on proper assembly of grinder head. Improper use voids warranty

*** This plate must be used when stuffing sausage

Proud Member of:
NAFEM
North American Association of
Food Equipment Manufacturers

Quality • Value • Reliability